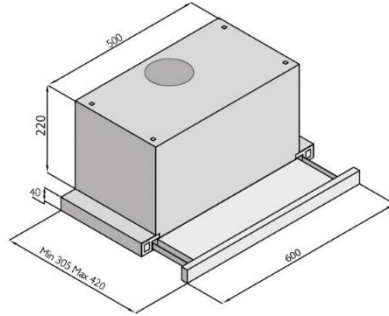


# SILVERLINE



1144

1144

Built-In Hood

## Product Features

---

### Inox + Metalic Body

- 60cm, Built-in model
- Touch control panel
- Display screen
- Single motor
- Exchangeable front panel
- Timer function
- Aluminium cassette filters (dishwasher safe)
- 120mm outlet
- N-RV system

**700** m<sup>3</sup>/h      **5**      **2x50W**  
Airflow Capacity    Speed    Halogen Lamp