

CANDY

CDI 2DS36

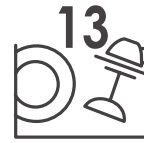
DISHWASHER



NEW

A++
ENERGY CLASS

ENERGY CLASS



SETTINGS

Silent+

SUPER SILENT
47 DB(A)



AQUA
PROTECT



10 litres
10LTR WATER
CONSUMPTION



DELAY
START



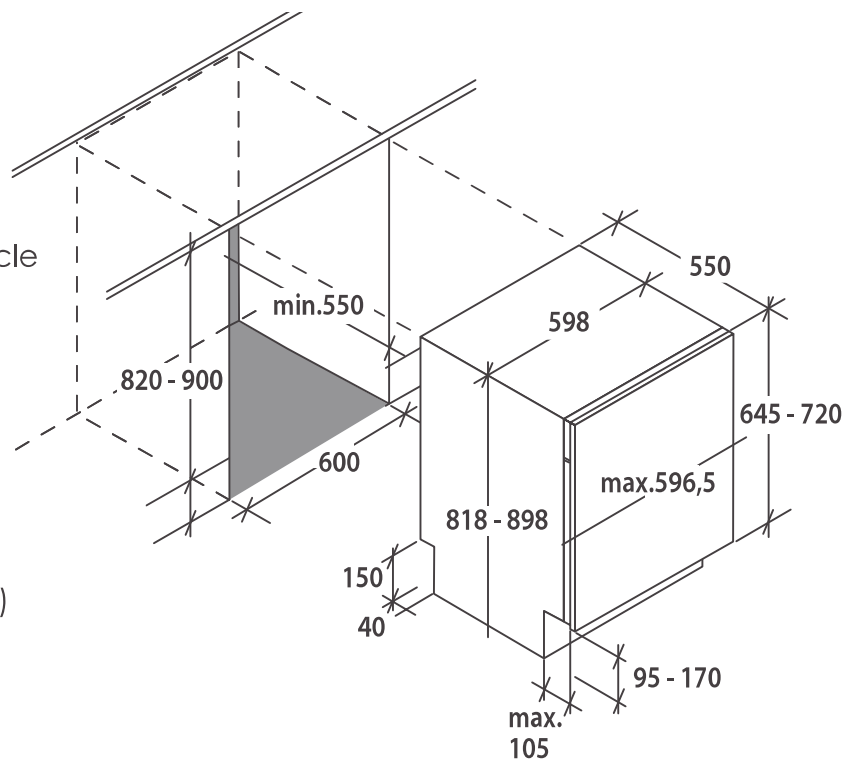
BABY BOTTLE
SANITIZING



SMART
TOUCH

FULLY INTEGRATED DISHWASHER

- 13 Place Settings
- SMART – NFC connectivity
- Water consumption: 9 Litres / Eco cycle
- LED Display
- 6 Programs
- Intensive wash prgm
- Rapid 30 min prgm
- Salt and Rinse aid indicator
- Delay Start 3h/6h/9/12h
- Energy Class A++ A A, Sound 47dB(A)
- Input power 2.15 kW
- Fully Integrated



Model description	CDI 2DS36
Internal article number	32900675
Product Line	Built In Dishwasher
EAN code	8016361945883
Built-in / Free standing	Full-integrated
Brand	CANDY
Start delay time	Yes
Automatic Open Door	-
Bezel color (only for Built-In products)	Black
Drying system	Condenser
Electronic control by buttons	Digit
Number of plate settings	13
Number of programmes	9
Drying performance (efficiency class)	A
Energy efficiency class - NEW (2010/30/EC)	A++
Cutlery basket colour	Metal Grey
Gross weight (kg)	37.64
End of cycle indicator	Yes with buzzer
Noise level (dB (A))	47
Salt light indicator	Yes
Tub and counter door	Stainless steel
Water consumption (l)	10
Water consumption annual (l/annum)	2884
Connection Rating (W)	2150
Current (A)	10
Annual Energy consumption (kWh)	268.8
Frequency (Hz)	50
Voltage (V)	220-240
Width (mm)	598
Depth (mm)	550
WiFi	NFC
Adjustable upper basket	Yes
Adjustable water hardness (levels)	6
Height without worktop (mm)	820
Hinges	Double movement
Power consumption in left-on mode	0,6 W
Power consumption in off-mode	0,1 W
CERTIFICATIONS	ESMA -4 STAR