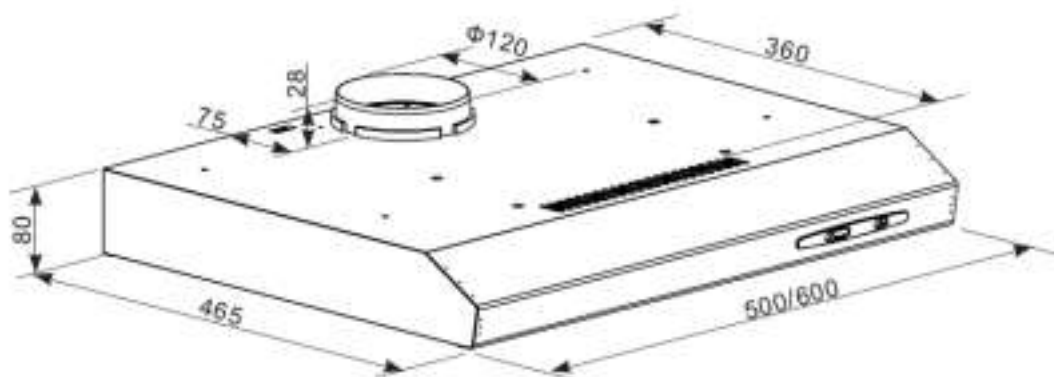


CANDY

CFT610/5X

STANDARD HOOD



Category	STANDARD
Model	CFT610/5X
Code	36900948
EAN code	8016361970960
Brand	CANDY
Dimensions (cm)	60cm
Finish/Color / Material	Stainless Steel - 430 Grade
Voltage	220-240 V
Frequency	50 Hz
Motor (number x power)	1* 85W capacitor motor (C83)
Lighting (number x power - type)	1*2.5W LED light
Total power	87.5W
Controls	slide switch
Speed levels	3 speeds
Energy data	
EEL - Energy Efficiency Index (Class - Value)	C-81.5
AEC - Annual Energy Consumption (kWh/a)	44.2
FDE - Fluid Dynamic Efficiency (Class - Value)	E-9.5
LE - Lighting Efficiency (Class - Value)	A-38.6
GFE - Grease Filter Efficiency (Class - Value)	C-80.8
RU - C(dB)	71
Min air flow in normal use QMIN (m3/h)	99.6
Max air flow in normal use QMAX (m3/h)	209.7
Measured air pressure at best efficiency point PBEP (PA)	262
A-weighted Sound Power Emission EN60704 at minimum speed DBMIN (dBa)	55
A-weighted Sound Power Emission EN60704 at maximum speed DBMAX (dBa)	71
ACCESSORIES	
Filters antigrease (number x type)	1*Grease Filter
Carbon filters (code / description / pcs x pack)	1* CF152 filter paper
Carbon filters (included / optional)	Included
Timer (included / minutes)	No
Filter saturation	No
No return valve	No
Air outlet (mm)	120
Reduction (mm)	No
Wire lenght	1,5m
Plug type	Without plug
OTHERS	
User Manual Languages	Standard User manual
Product dimensions	600*465*80
Packaging dimensions	645*125*520mm
Net weight	4.87kgs
Gross weight	6.17kgs
Loading 40"HC	1620
Certification	ESMA