

CANDY

CKBBF 172 K

BI-COMBI



A+
ENERGY

ENERGY
CLASS

**NO
FROST**



FRESH ZONE



SKY LED



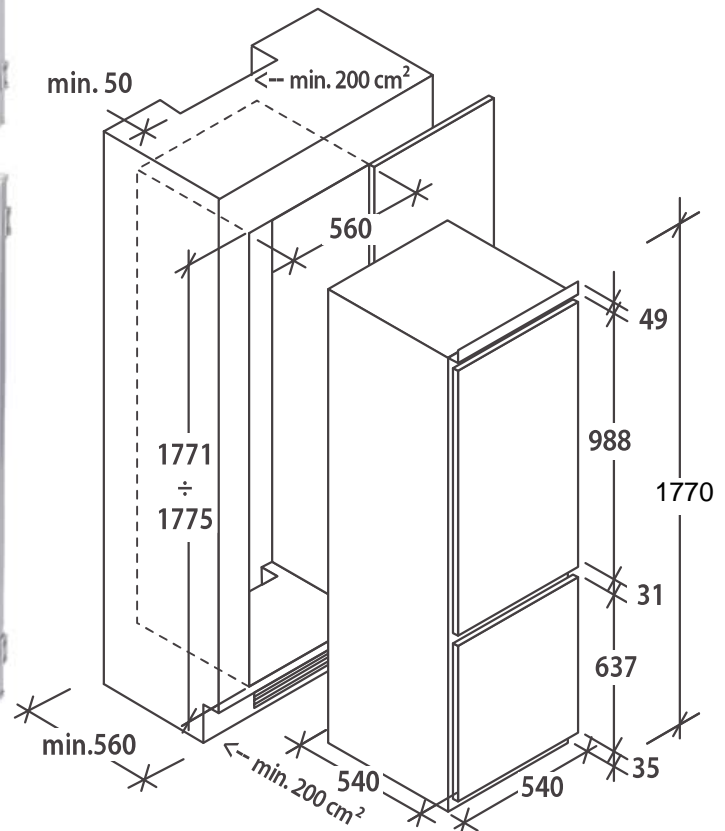
4 STAR
FREEZER



AIR FAN

Ⓢ 1 2 3 4 Ⓢ

ELECTRONIC
CONTROL



MODEL DESCRIPTION	CKBBF 172 K
CODE	34900439
EAN	8016361917644
BRAND	CANDY
Type	B I Combi Refrigerator
Handle (External / Metal / Integrated)	Integrated
Energy efficiency class	A+
Climate clas	T
Freezer compartment star rating	4 STARS
Energy consumption/ year	275.940 KWhr/year
Energy consumption (EN153) per 24 h	0.723
Gross capacity	250
Net capacity	240
Net capacity fridge compartment	190
Net capacity freezer compartment	50
Freezing capacity / 24 hours	3.0
Max noise level	43
Kind of coolant (R134a/R600a)	R600a
Cooling technology:	No frost
Number of compressor(s)	1
Defrosting Fridge / Freezer (M=manual A=automatic)	A/A
Control system	Electronic
ELECTRONIC	LED (on sky LED)
SKY FAN	Yes
Kit lysteria	Yes
Connectivity	NO
Temperature range (from>to)	0~10/ <-18°C
On/Off setting	YES
Alarm door (acustic)	YES
Unit dimensions with-out handle (H / W / D) cm	177X54X54
Depth with open door	105.7
Net Weight (kg)	62.5
Cross Weight (kg)	68.2
Voltage / frequency	220-240V/50Hz
Current	0.8A
Connection Power	100W
Fridge Shelves	2+1+1 Full Transparent Glass
Bottle rack nr. / type	YES, CHROMED
Crisper	1 with Telescopic rails
Chiller area (0 to 3 °C)	Yes with rails
Door Balconies (total)	1 upper+1 middle +1 bottom
Reversible door	YES
Freezer Drawer(s)	3
Ice cube tray(s)	1
Eggs tray(s)	1
Bottle separator	YES
Height of cutout mm	1771-1775
Width of cutout mm	560
Depth of cutout mm	560