


A compact two-in-one oven

This compact yet capable oven features both standard oven cooking and microwave cooking functions.

Product Benefits & Features

Expand your cooking horizon

Use this touch text&icon menu to expand your cooking horizons. It includes help functions and 100 pre-set cooking programs. Plus you can save up to 20 of your own favourite programs.

Make every bite taste great

With this multifunctional oven, each dish will taste great. And because it spreads the heat evenly, every mouthful will be equally delicious.

Presets for great microwave results

Automatic pre-programmed settings make microwave defrosting and sequential cooking easier than ever.

Cook quicker – cook more economically

With hot-air fan cooking, you can cut your cooking times and reduce the temperature. As a result, you save time and cooking becomes more economical.

Easy to clean, thanks to the enamel linings

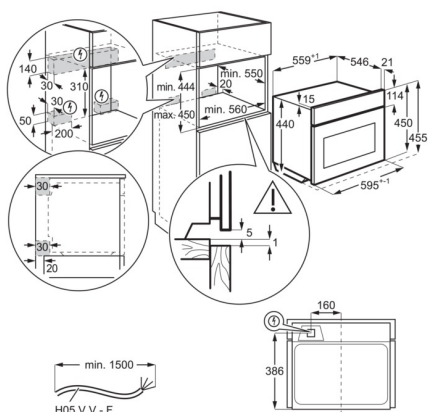
Each of this oven's cavities are easy to clean – thanks to their enamel linings. It takes no time at all to get the ovens ready for cooking the next meal.

- Compact built-in oven
- Oven with integrated microwave function
- Microwave power: 1000 Watt
- Oven cooking functions: Bottom heat, Bread baking, Browning/Au gratin, Conventional/Traditional cooking, Defrost, Dough proving, Drying, ECO roasting, Fast grilling, Frozen foods, Grilling, Keep warm, Low temp. cooking/Slow cooking, Microwave function, Pizza setting, Plate warming, Preserving, True fan cooking, Turbo grilling
- Anti fingerprint stainless steel
- Oven cavity with 2 baking levels
- Fast oven heat up function
- Automatic temperature proposal
- Memory function for frequently used oven settings
- Integrated recipes
- Automatic weight programs
- Electronic temperature regulation
- Heat and hold function
- Time extension function
- Electronic Child Lock safety function
- Residual heat indication
- Electronic oven functions overview: 20 Memory programmes, 90 recipes/automatic programmes (weight/food sensor), Accoustic signal, Automatic switch off only oven, Check result, Child lock, Cooking time displayed with program, Demo mode, Duration, Electronic temperature regulation, End, Fast heat up selectable, Favourite cooking programme, Food sensor, Food sensor automatic switch off, Food sensor core temperature indication, Food sensor estimation, Function lock, Heat and hold, Keep warm 65°C extended with LTC and set FS, Languages/Text display, Memory day time 1 week, Minute minder, Oven light on/off selectable, Real temperature indication, Residual heat indication, Residual heat usage, Running time displayed, Service codes, Set & go, Switch off time of day in off status, Temperature proposal, Time extension, Time of day, Up and down counter
- Halogen oven lighting
- Oven light automatic at door opening
- High gloss enamel oven lining, easy to clean
- Cooling fan
- Trays supplied with the oven: 1 Cake tray black enamel
- Grids supplied with the oven: 1 Wire shelf chromed
- Demo mode
- Service codes
- Electric cable length: 1.5 m

Product Specification

BI dimensions HxWxD in mm	450x560x550
Dimensions HxWxD in mm	455x595x567
Volume usable, l	43
Colour	Stainless steel with antifingerprint
Type of plug	No
Cord Length	1.5
Total electricity loading (W)	3000
Voltage	230-240
Required Fuse	16
Product Number Code	944 066 061
Color	Stainless steel with antifingerprint
Width (mm)	595
Country of origin	PL

PSGBOV180DE0000H



PSGBOV180DE0000J

