

The TC-615M is a highly intelligible, general-purpose speaker suited to public address announcement applications. Its external speaker component finished with powder coating, and stainless steel screws ensure the unit's weatherproof capability.

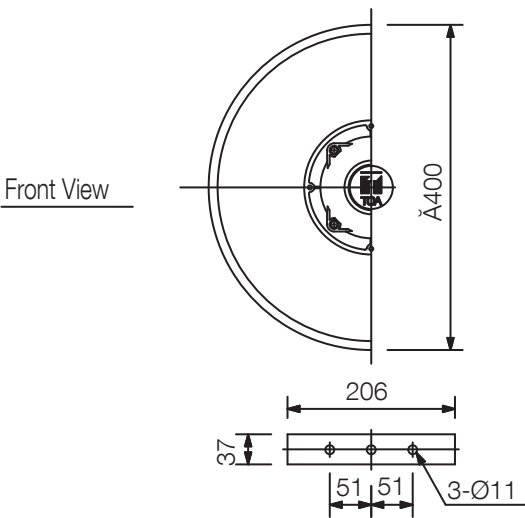
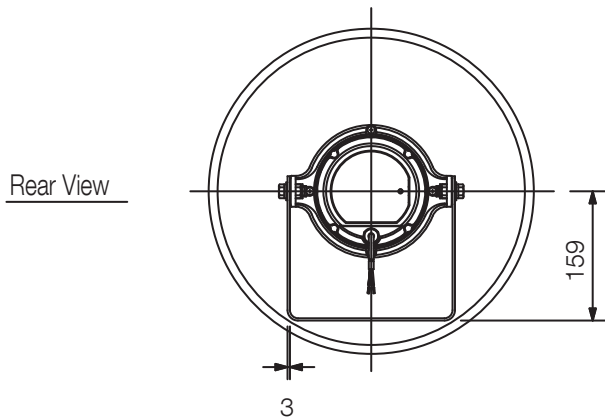


Order no: TC-615M EU

Specifications

Frequency response	250 Hz - 7 kHz
Sensitivity (1#V, 1#m) (combined)	108 dB
Rated input	15 W
Tappings	100V LINE: 670Ω (15W), 1kΩ (10W), 2kΩ (5W), 3.3kΩ (3W) 70V LINE: 330Ω (15W), 670Ω (7.5W), 1kΩ (5W), 2kΩ (2.5W), 3.3kΩ (1.5W)
Dimensions (W x H x D)	x 376
Dimensions (ø x D)	400 x 376 mm
Finish	Aluminium, powder coating, traffic white (RAL 9016 or equivalent)
Operating temperature	-20°C to +55°C

Appearance



Bracket dimensional diagram

UNIT:mm

SCALE:1/10

