

The EC-100M microphone is equipped with an electronic chime. It can be operated as easily as normal type microphones, and can be used in any locations. The EC-100M's power saving design permits it to be operated for approximately 2 years (on the assumption that it is used 150 times a day) on two R14P batteries. (It is highly recommended that the batteries be replaced every 2 years to avoid battery leakage.)

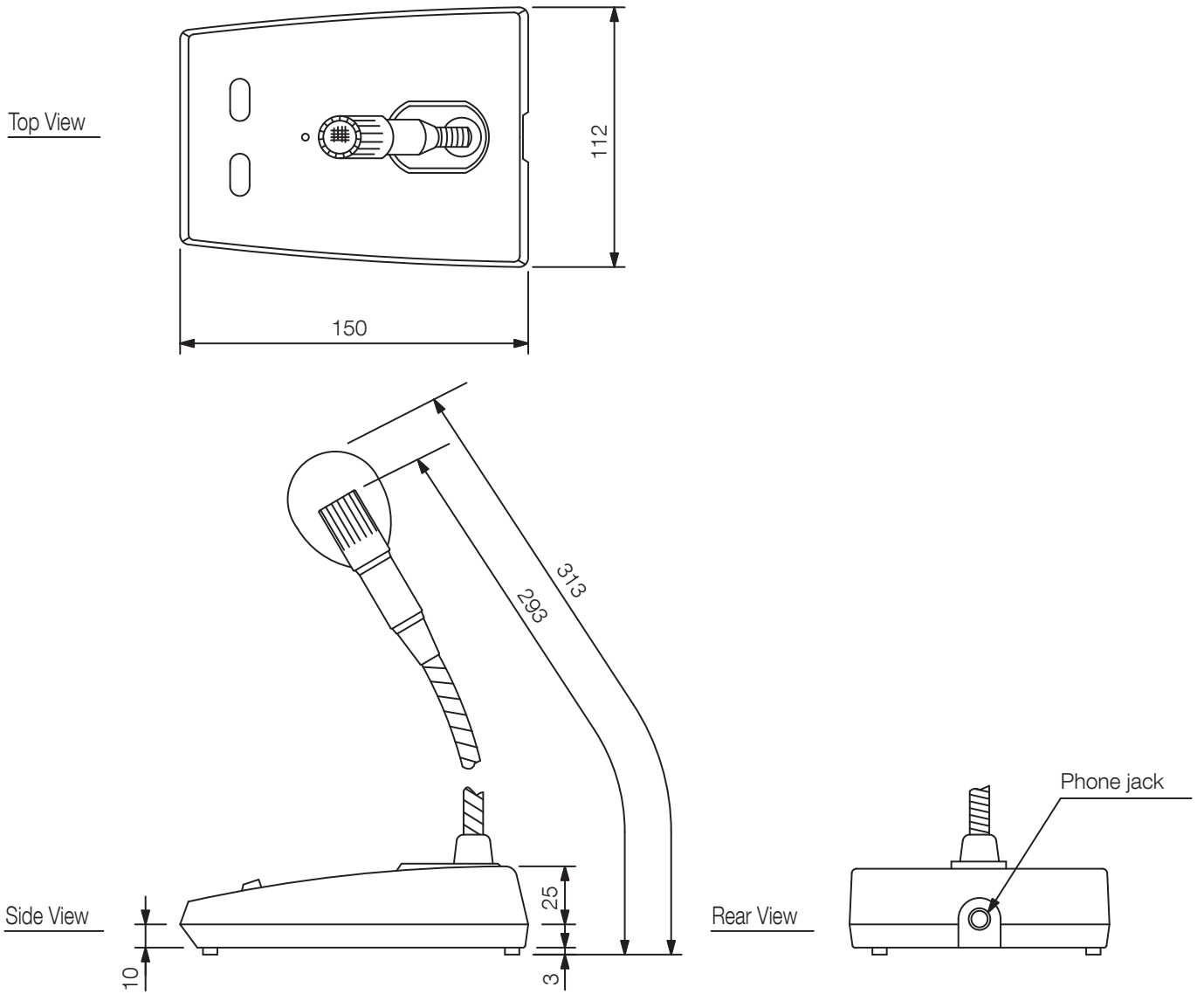


Order no: EC-100M Y

Specifications

| | |
|------------------------|--|
| Frequency response | 200 Hz - 10 kHz |
| Rated impedance | 600 Ω |
| Controls | ON/OFF switch |
| Type | Desk top microphone for paging (dynamic) |
| Directivity | Unidirectional |
| Sensitivity | -53 dB (1 kHz 0 dB = 1 V/Pa) |
| Dimensions (W x H x D) | 112 x 392 x 150 mm |
| Dimensions (ø x D) | x 150 mm |
| Finish | Zinc, die-cast, metallic gold |

Appearance



UNIT:mm SCALE:1/3