

The DM-1200 microphone is designed for speech applications and features high intelligibility.

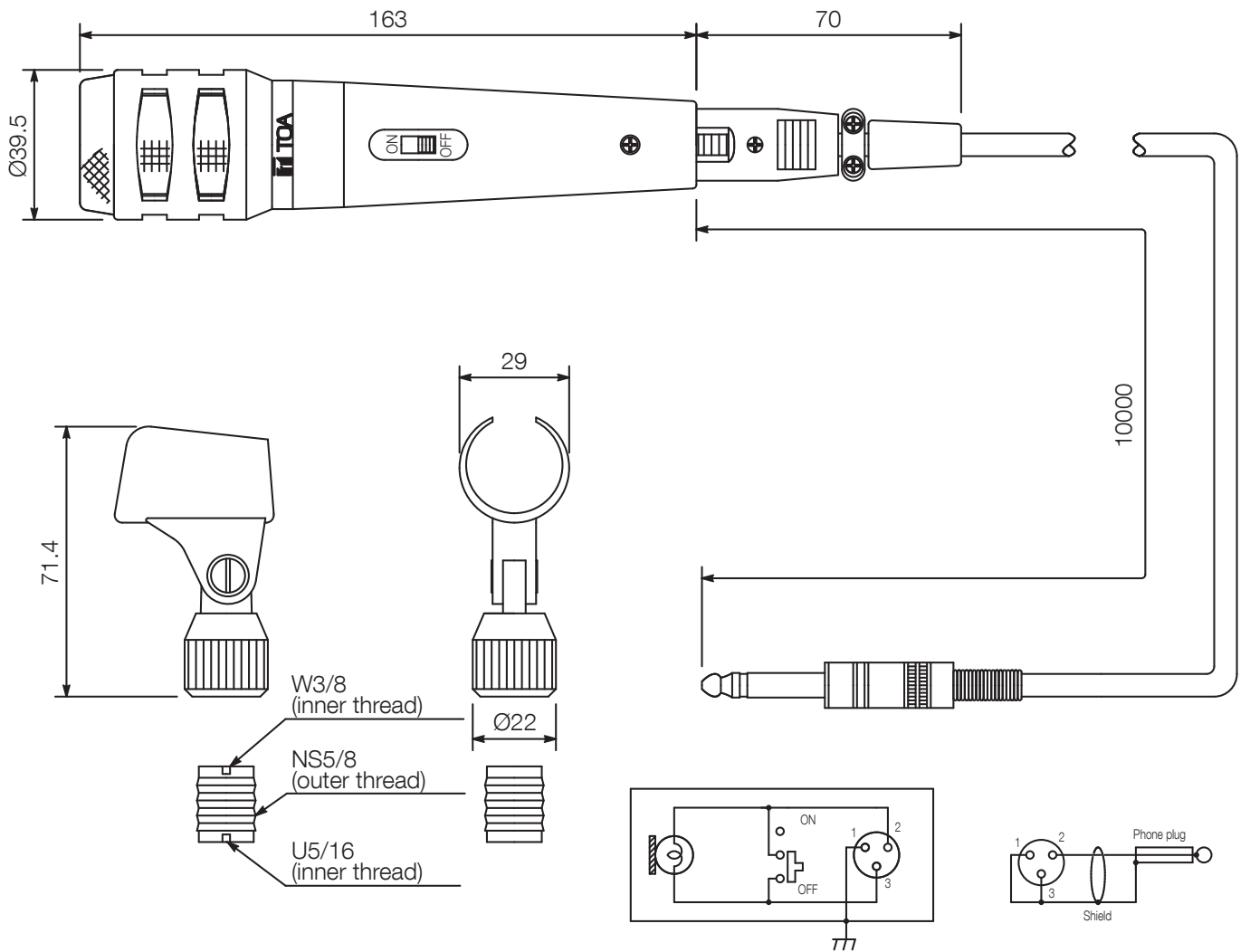


Order no: DM-1200

Specifications

Frequency response	50 Hz - 12 kHz
Connection	3-pin XLR jack
Rated impedance	600 Ω
Controls	Talk switch: Short-off type, slide on/off switch
Type	Dynamic microphone
Directivity	Unidirectional
Sensitivity	-52 dB (1 kHz 0 dB = 1 V/Pa)
Dimensions (W x H x D)	x 163
Dimensions (ϕ x D)	39,5 x 163 mm
Finish	Zinc, die-cast, paint, grey metallic

Appearance



UNIT:mm

SCALE:1/2

Circuit Diagram