

The ST-66A is a desktop microphone stand, and the stand shaft of two sections is provided. The upper shaft can be freely raised and lowered from 225 mm to 340 mm in height. The unit is supplied with the clip type microphone holder allowing to hold the microphone body by 35 mm in maximum diameter.

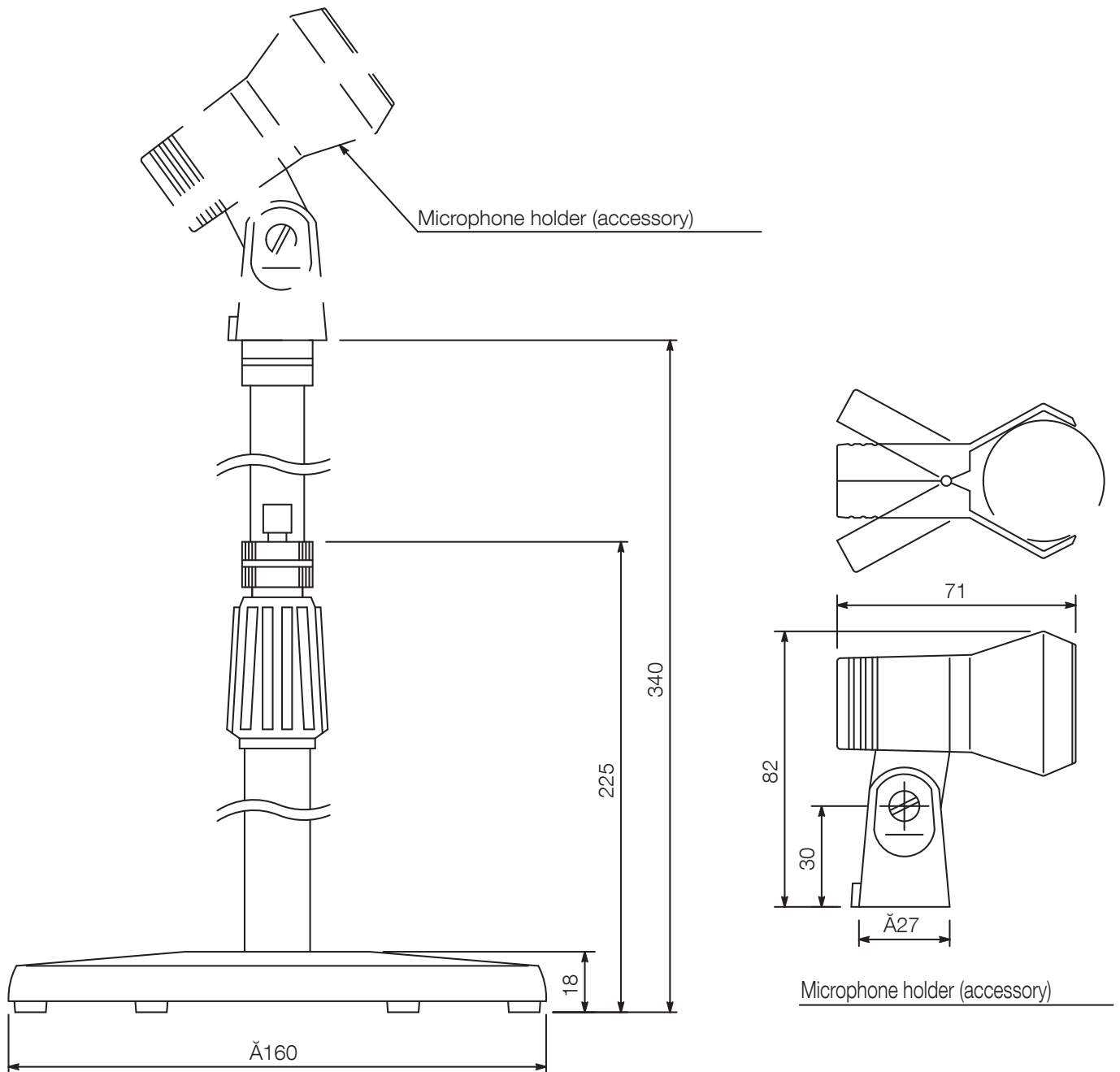


Order no: ST-66A

Specifications

Weight	1,1 kg
Gross weight	1,22 kg
Finish	semi-gloss, paint, black

Appearance



UNIT:mm SCALE:1/2