

The TC-631M is a highly intelligible, general-purpose speaker suited to public address announcement applications. Its external speaker component finished with powder coating, and stainless steel screws ensure the unit's weatherproof capability.

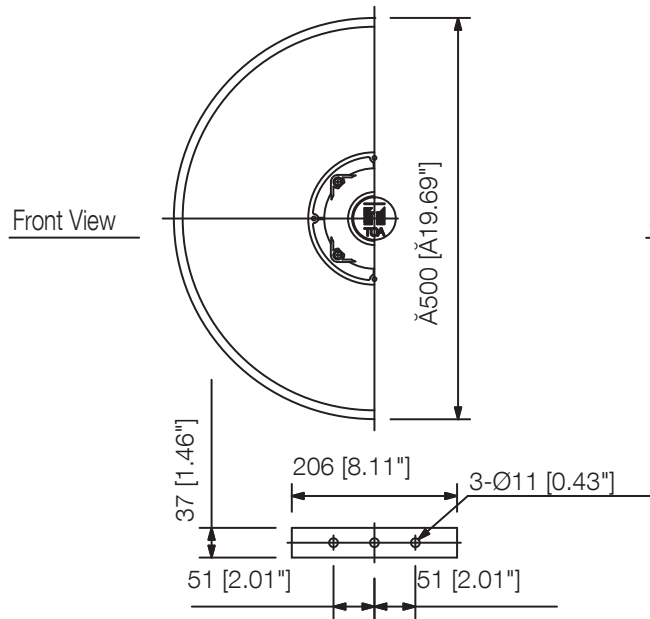
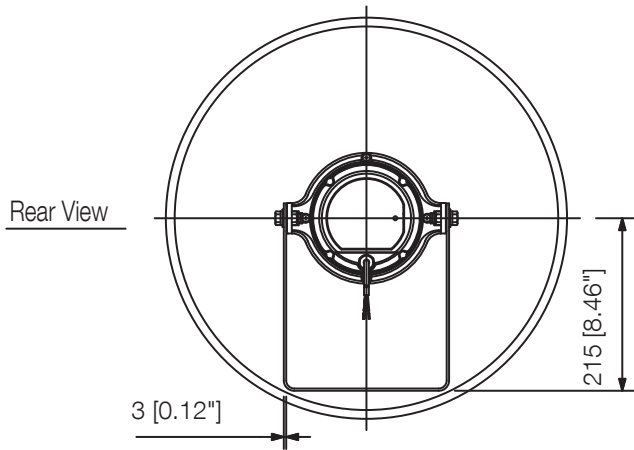


Order no: TC-631M

Specifications

Frequency response	200 Hz - 6 kHz
Sensitivity (1#V, 1#n) (combined)	110 dB
Rated input	30 W
Tappings	100V line: 330 Ω (30W), 670Ω (15W), 1kΩ (10W), 2kΩ (5W) 70V line: 170Ω (30W), 330Ω (15W), 670Ω (7.5W), 1kΩ (5W), 2kΩ (2.5W)
Dimensions (W x H x D)	x 463
Dimensions (ø x D)	500 x 463 mm
Finish	Aluminium, powder coating, traffic white (RAL 9016 or equivalent)
Operating temperature	-20°C to +60°C

Appearance



Bracket dimensional diagram

UNIT:mm

SCALE:1/10

