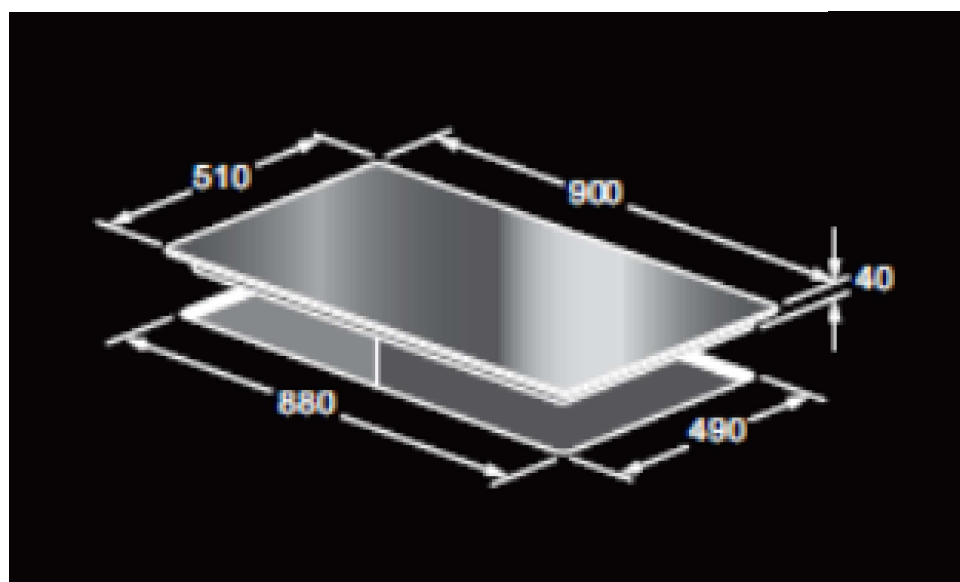


# CANDY

CH95C/3

CERAMIC



Model	CH95C/3
Product code	33802102
EAN code	8016361979185
Brand	Candy
Production / Supplier code	Vitroc ceramic hob with front touch control 90 (VCR / 2C + 1DC + 1SDC + 1BOV)
Built-in / Free standing Built-in	BUILT-IN
Installation type Standard	STANDARD
Type of control	Touch control
Location of control panel Front	FRONT
<b>Description of cooking zones</b>	
No of zones	5
FRONT RIGHT	Ø180/120- 1700W/700W HIGHLIGHT
FRONT LEFT	Ø145-1200W HIGHLIGHT
REAR LEFT	170X265 -2200/1400W HIGHLIGHT
REAR CENTRAL	Ø1210/120W-2100W/700W HIGHLIGHT
REAR RIGHT	Ø145-1200W HIGHLIGHT
REAR LEFT :vitroc ceramic DIAM.145	1200W hi-light/radiant
FRONT LEFT: RADIANT ZONE DIAM.180	1700W hi-light/radiant
Power supply voltage (V)	220-240V
Power/Frequency (Hz)	8400W/50/60HZ
Lead-in cable length (mm)	100
Plug type	NO PLUG
<b>Finish of hob</b>	
Colour	BLACK
Hob surface material	VITROCERAMIC GLASS
BRAND	Candy
MOC	200 units
Yearly quantity	spot delivery
<b>Packaging composition</b>	
BOX	1 cardboard 1460 gr
SIDE PROTECTION DX/SX	1X2 polistyrene 60 gr
BOTTOM PROTECTION	1X polistyrene 105 gr
TOP PROTECTION	1X polistyrene 165 gr
STRAP	7.40 Mt x 6gr/mt
Gross weight	14,00Kg.
Net weight	12,21
packaging dimensions	960x580x160 mm.
User Manual	Arabic/English
Certifications	ESMA/G-mark