

CANDY

CVM 670 LX

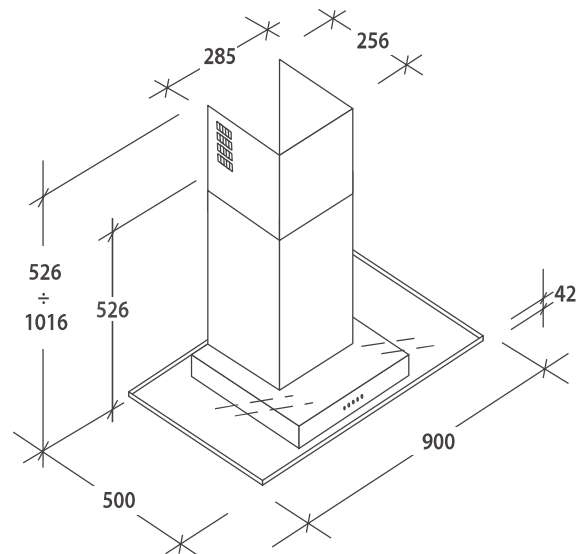
GLASS CHIMNEY



LED LAMP



ALUMINIUM
GREASE FILTER



DECORATIVE HOOD 60CM

- Electronic Buttons (green backlit)
- 3 Speed Levels
- Max Suction power 545 m³/h
- 2x1.5W LED lamps
- Motor Power 210W
- 1 Aluminum Panel Grease filter

- 2 Carbon Filters
- Min. Speed noise 68 dB(A)
- Recirculating / Ducted mode
- Total Power 213W
- Tempered Glass / Inox

36900354 CVM 670 LX

Model	CVM670LX
Code	36900354
EAN code	8016361854826
Brand	CANDY
Type of Hood	DECOR VETRO
Dimensions (cm)	60
Finish/Color	Inox + tempered flat glass
Voltage	220-240 V
Frequency	50/60 Hz
Motor (number x power)	1x210w
Lighting (number x power - type)	2x1,5w LED
Total power	213W
Controls	Electronic button with green back light
Speed levels	3
RU - Noise level (dB)	68
Max air flow in normal use QMAX (m3/h)	545
Air flow at intensive/boost setting QBOOST (m3/h)	-
A-weighted Sound Power Emission EN60704 at minimum speed DBMIN (dBa)	62
Filters antigrease (number x type)	1 aluminium panel
Carbon filters (code / description / pcs x pack)	35900124 FCR17 - round 17cm - 2 x pack
Carbon filters (included / optioNol)	Included
Timer (included / minutes)	-
Filter saturation	-
Special function (clean air)	-
No return valve	Yes
Air outlet (mm)	120
Reduction (mm)	No
Wire lenght	1,50 mtr
Plug type	No
Product dimensions (mm)	600*500*526-1016
Packaging dimensions (mm)	655*380*570
Net weight (kg)	13.2
Gross weight (kg)	15.2
Certifications	ESMA